



CROFT

CABINET COLLECTION



OUR FINISHES

Our portfolio is created using premium brass and bronze and is available in over 25 individual finishes, hand-applied by our skilled craftsmen and women.



Polished Brass (PB)



Polished Brass Unlacquered (PBUL)



Smoked Brass (SMK)



Light Antique Brass (LAB)



Aged Brass (AGD)



Antique Brass (AB)



Satin Brass (SB)



Satin Brass Unlacquered (SBUL)



Polished Chrome (CP)



Satin Chrome Plate (SCP)



Polished Nickel (PN)



Satin Nickel Plate (SNP)



Pearl Nickel (PRL)



Antique Nickel (AN)



Distressed Antique Nickel (DAN)



Autumn Bronze (AUT)



Imitation Bronze Metal Antique (IBMA)



Distressed Antique Brass (DAB)



Imitation Bronze Unlacquered (IBUL)



Matte Black Bronze (MBK)



Dark Bronze Metal Antique (DBMA)



Oil Rubbed Bronze (ORB)



Distressed Oil Rubbed Bronze (DORB)



Zero Black (ZB)



CONTENTS

The Collections

Brooklands
Legacy
Fusion
Icon
Hex
Quartet
Diamond Silhouette
Round

3 - 34

3 - 6
7 - 10
11 - 14
15 - 18
19 - 22
23 - 26
27 - 30
31 - 34

Further Designs

Elegance
Pillow
Tilt
Roka
Hudson

35 - 42

36 - 37
38
39
40
41

Edge Pulls

43 - 46

Cabinet Knobs & T-Bars

47 - 56

Further Cabinet Handles & Pulls

57 - 63

Cabinet Catches

65 - 68

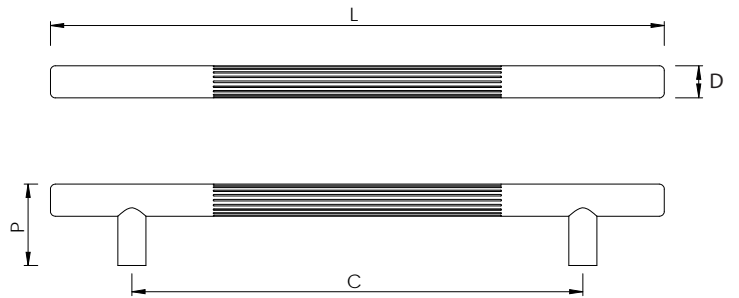


BROOKLANDS

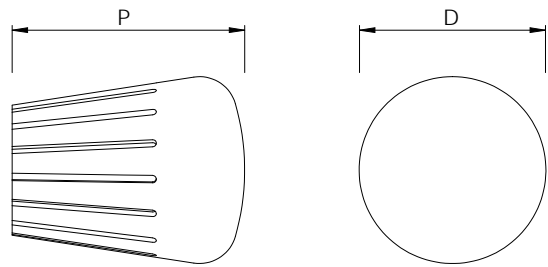
Inspired by the iconic racing cars of the 1950's, the Brooklands design has perfectly uniform linear grooves along its outward surface.



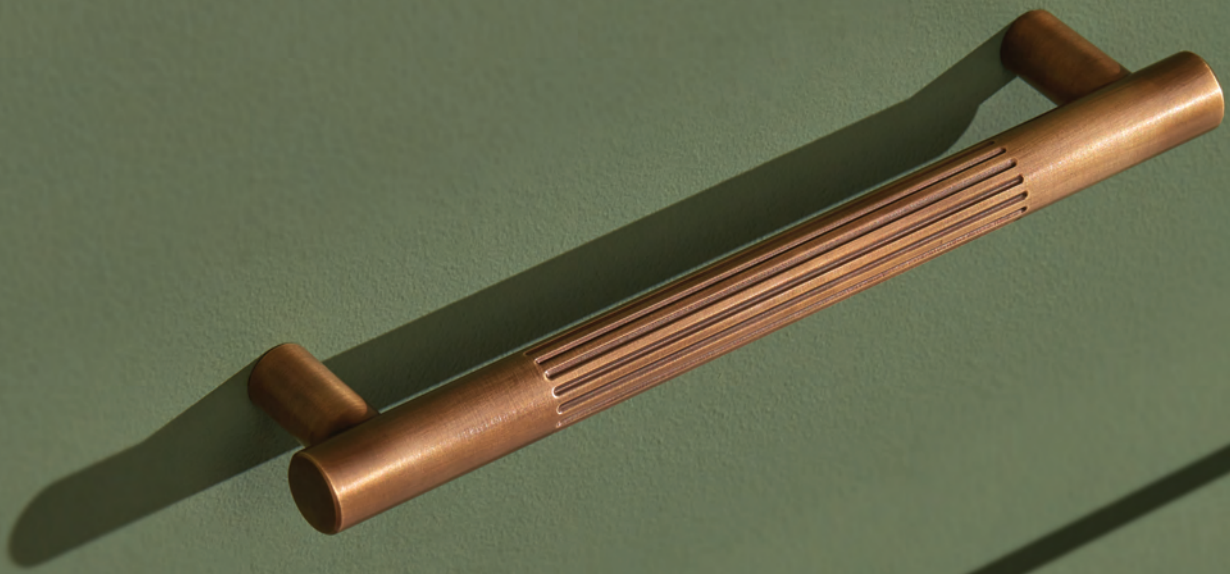
BROOKLANDS



Code	Description	Centres (mm)	Length (mm)	Projection (mm)	Diameter (mm)
114-128	Brooklands Cabinet Handle	128	152	30	12
114-160	Brooklands Cabinet Handle	160	220	30	12
114-192	Brooklands Cabinet Handle	192	252	30	12
114-224	Brooklands Cabinet Handle	224	284	30	12
114-256	Brooklands Cabinet Handle	256	316	30	12
114A-224	Brooklands Cabinet Handle	224	305	40	16



Code	Description	Centres (mm)	Length (mm)	Projection (mm)	Diameter (mm)
113	Brooklands Cabinet Knob	-	-	25	20

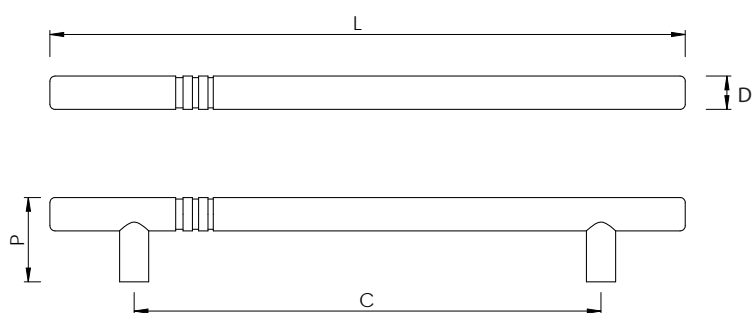


LEGACY

The Legacy collection emulates the stylish striping on famous racing cars from years past.



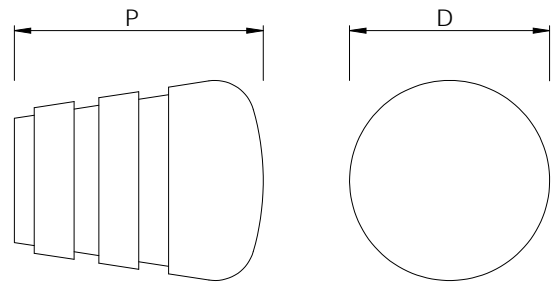
LEGACY



Code	Description	Centres (mm)	Length (mm)	Projection (mm)	Diameter (mm)
118-128	Legacy Cabinet Handle	128	152	30	12
118-160	Legacy Cabinet Handle	160	220	30	12
118-192	Legacy Cabinet Handle	192	252	30	12
118-224	Legacy Cabinet Handle	224	284	30	12
118-256	Legacy Cabinet Handle	256	316	30	12
118A-224	Legacy Cabinet Handle	224	305	40	16

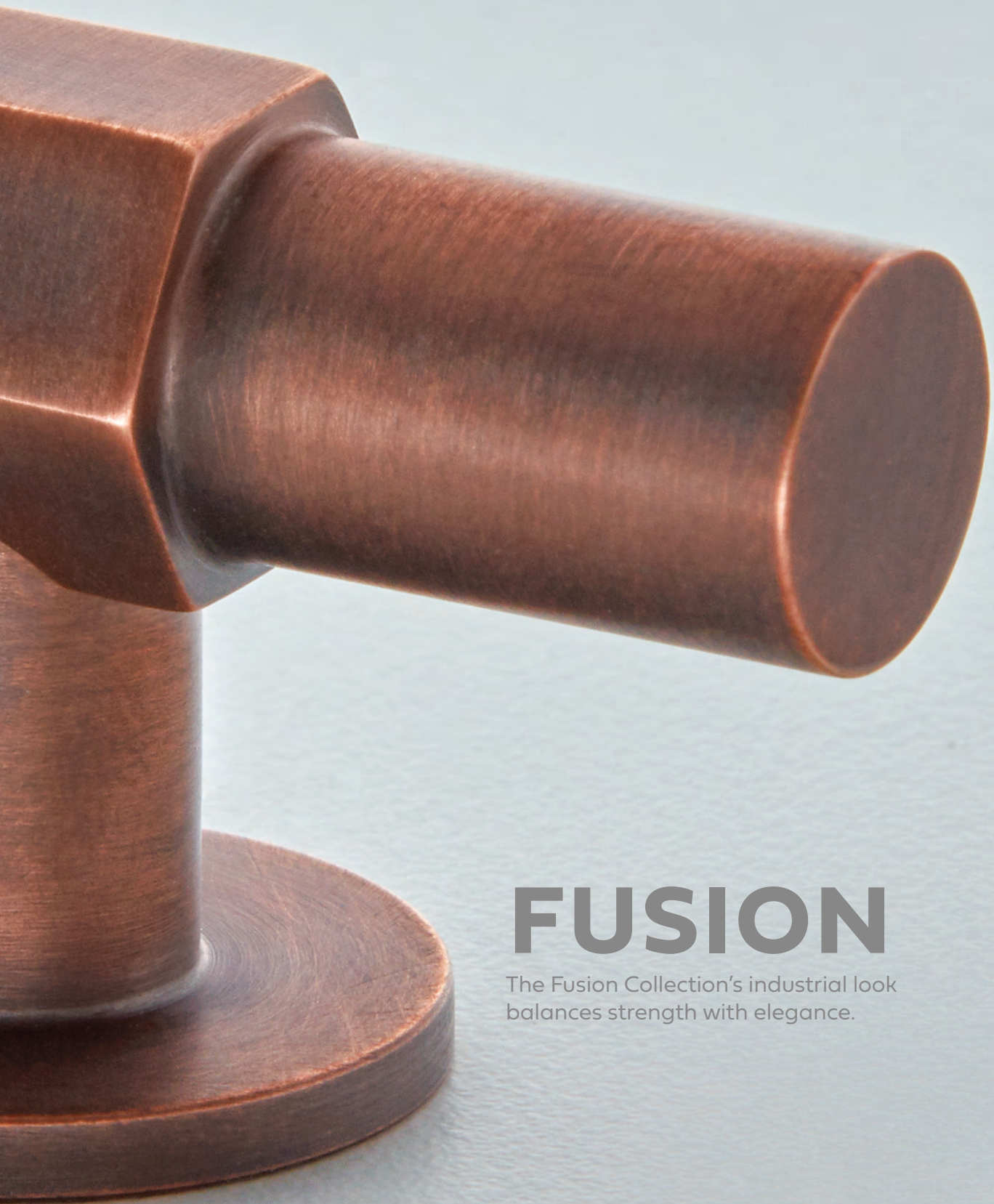


117
Legacy Cabinet Knob
IBUL



Code	Description	Centres (mm)	Length (mm)	Projection (mm)	Diameter (mm)
117	Legacy Cabinet Knob	-	-	25	20

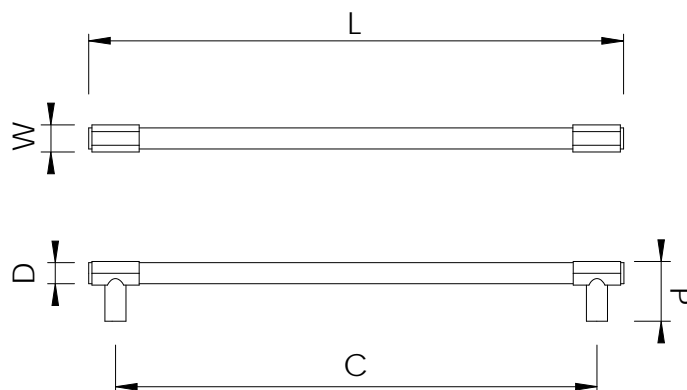




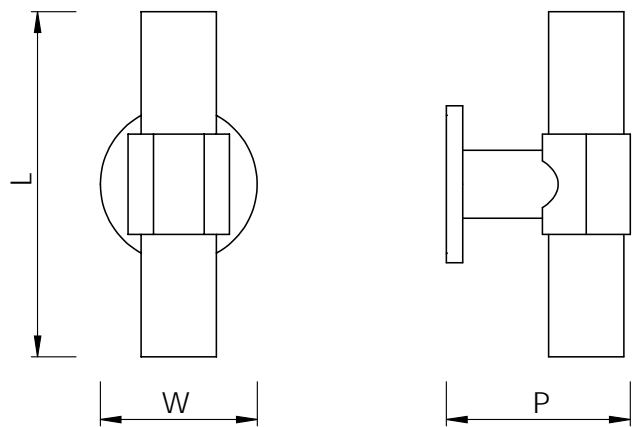
FUSION

The Fusion Collection's industrial look balances strength with elegance.

FUSION



Code	Description	Centres (mm)	Length (mm)	Width (mm)	Projection (mm)	Diameter (mm)
196-128	Fusion Cabinet Handle	128	152	14	30	10
196-160	Fusion Cabinet Handle	160	184	14	30	10
196A-192	Fusion Cabinet Handle	192	231	18	41	14
196A-224	Fusion Cabinet Handle	224	266	18	41	14
196A-256	Fusion Cabinet Handle	256	295	18	41	14
188-457	Fusion Appliance Pull	457	498	21	46	16
188-610	Fusion Appliance Pull	610	651	21	46	16



Code	Description	Centres (mm)	Length (mm)	Width (mm)	Projection (mm)	Diameter (mm)
161	Fusion T-bar	-	55	25	30	-

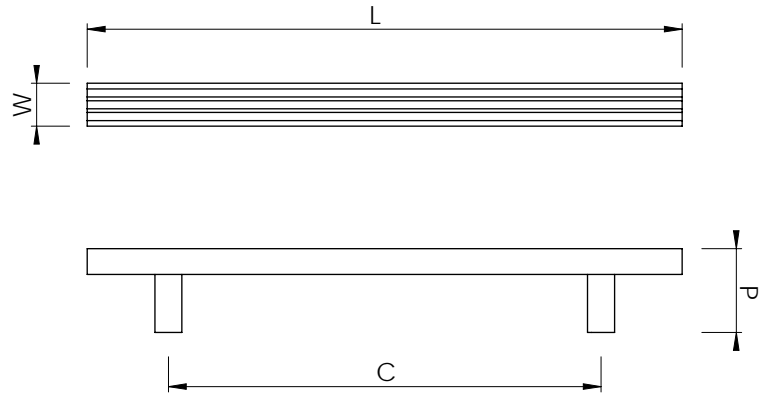


ICON

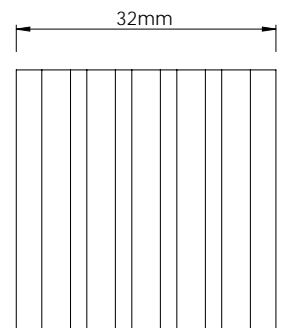
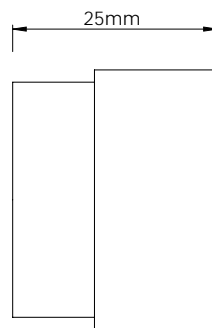
The Icon collection has deep grooves,
meticulously crafted and bold in appearance.



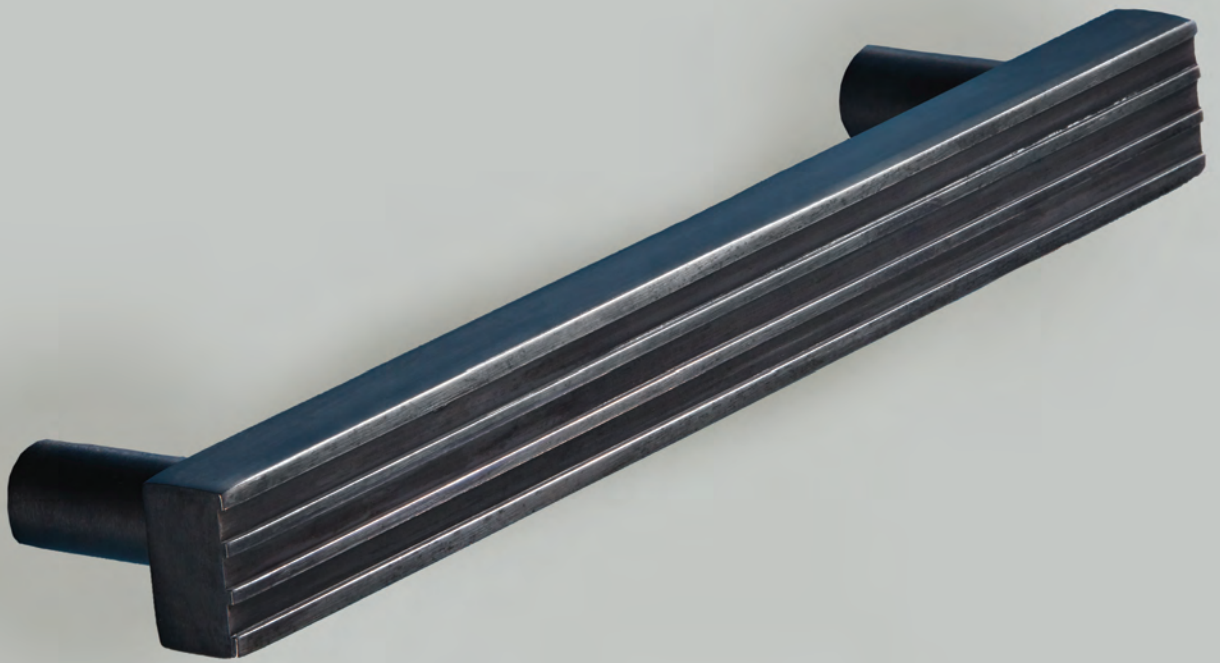
ICON



Code	Description	Centres (mm)	Length (mm)	Width (mm)	Projection (mm)
195-128	Icon Cabinet Handle	128	152	16	30
195-160	Icon Cabinet Handle	160	220	16	30
195-192	Icon Cabinet Handle	192	252	16	30
195-224	Icon Cabinet Handle	224	284	16	30
195-256	Icon Cabinet Handle	256	316	16	30
195A-192	Icon Cabinet Handle	192	254	19	40
195A-224	Icon Cabinet Handle	224	305	19	40
195A-256	Icon Cabinet Handle	256	356	19	40
189-457	Icon Appliance Pull	457	537	19	45



Code	Description	Centres (mm)	Length (mm)	Width (mm)	Projection (mm)
175	Icon Cabinet Knob	-	32	-	25

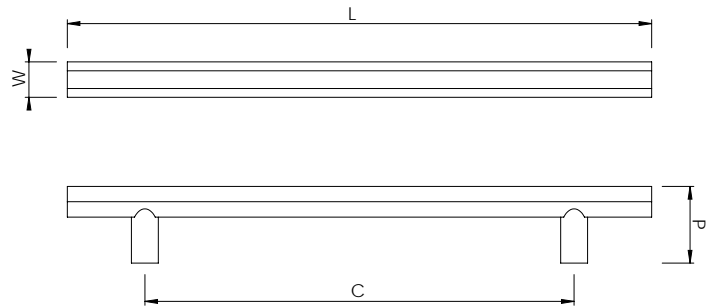


HEX

With six even sides, the Hex design is a statement piece that will make a big impact



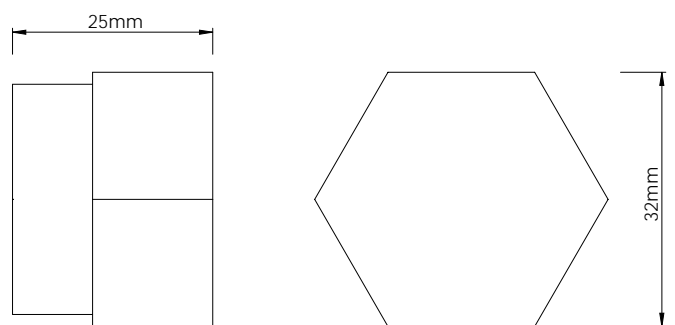
HEX



Code	Description	Centres (mm)	Length (mm)	Width (mm)	Projection (mm)
194-128	Hex Cabinet Handle	128	152	14	30
194-160	Hex Cabinet Handle	160	220	14	30
194-192	Hex Cabinet Handle	192	252	14	30
194-224	Hex Cabinet Handle	224	284	14	30
194-256	Hex Cabinet Handle	256	316	14	30
194A-192	Hex Cabinet Handle	192	254	18	40
194A-224	Hex Cabinet Handle	224	305	18	40
194A-256	Hex Cabinet Handle	256	356	18	40
187-457	Hex Appliance Pull	457	537	21	46
187-610	Hex Appliance Pull	610	690	21	46



173
Hex Cabinet Knob
Smoked Brass



Code	Description	Centres (mm)	Length (mm)	Width (mm)	Projection (mm)
173	Hex Cabinet Knob	-	32	-	25

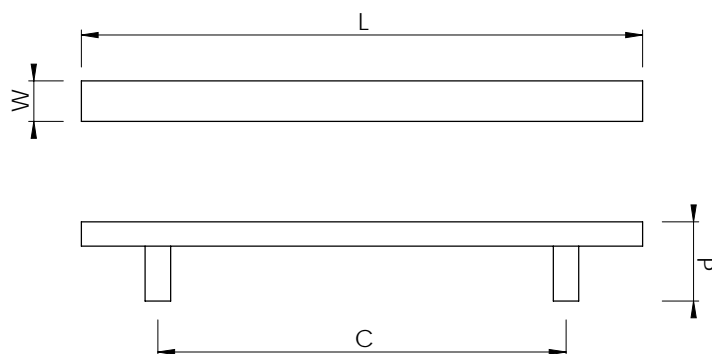




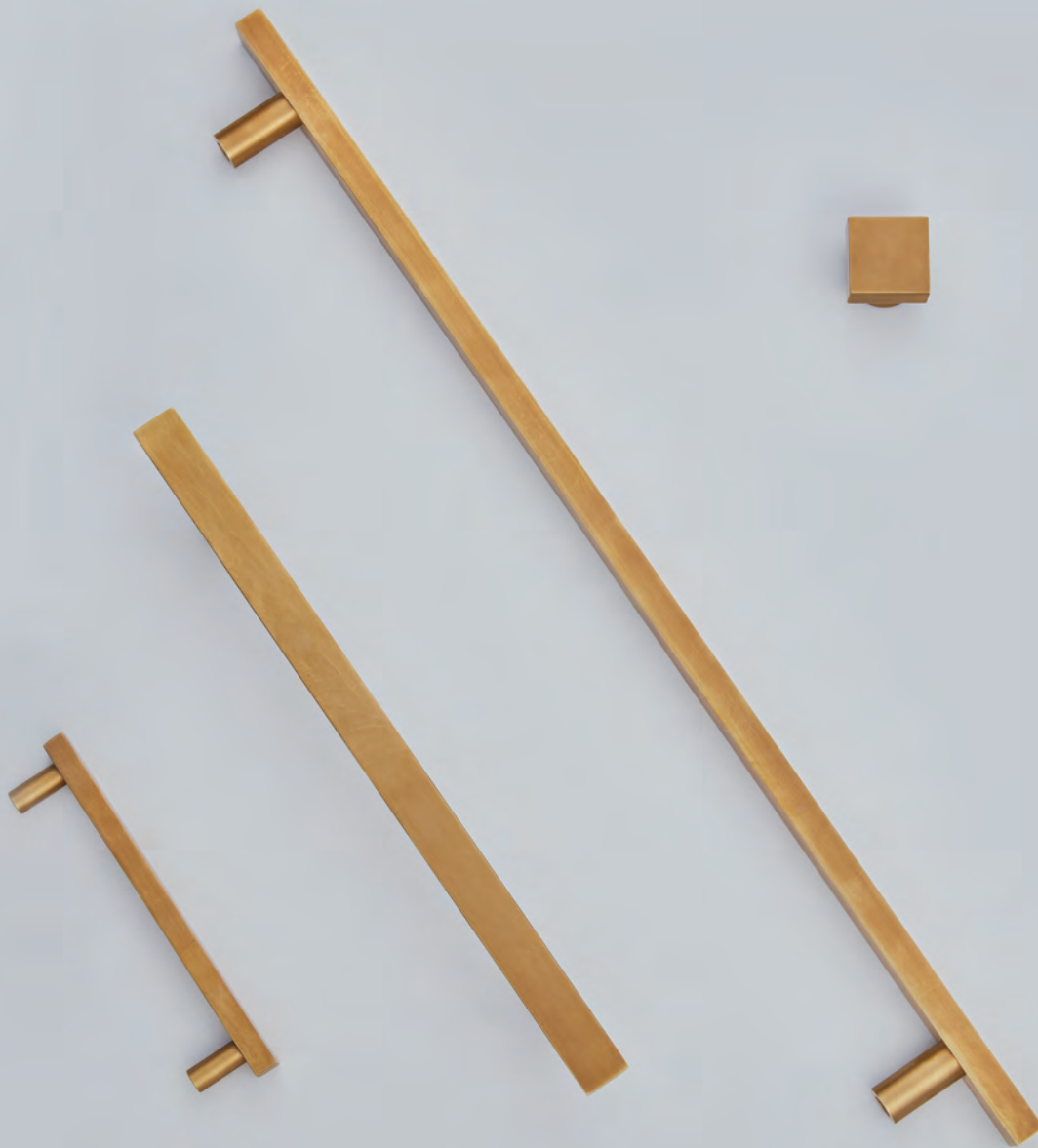
QUARTET

A classic design, the Quartet's simple shape and straight edges make it timeless.

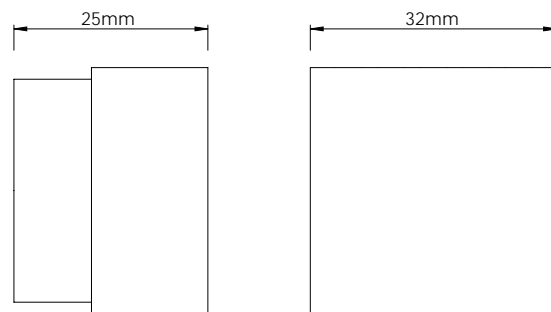
QUARTET



Code	Description	Centres (mm)	Length (mm)	Width (mm)	Projection (mm)
193-128	Quartet Cabinet Handle	128	152	16	30
193-160	Quartet Cabinet Handle	160	220	16	30
193-192	Quartet Cabinet Handle	192	252	16	30
193-224	Quartet Cabinet Handle	224	284	16	30
193-256	Quartet Cabinet Handle	256	316	16	30
193A-192	Quartet Cabinet Handle	192	254	19	40
193A-224	Quartet Cabinet Handle	224	305	19	40
193A-256	Quartet Cabinet Handle	256	356	19	40
186-457	Quartet Appliance Pull	457	537	19	45
186-610	Quartet Appliance Pull	610	690	19	45



172
 Quartet Cabinet Knob
 Autumn Bronze



Code	Description	Centres (mm)	Length (mm)	Width (mm)	Projection (mm)
172	Quartet Cabinet Knob	-	-	32	25

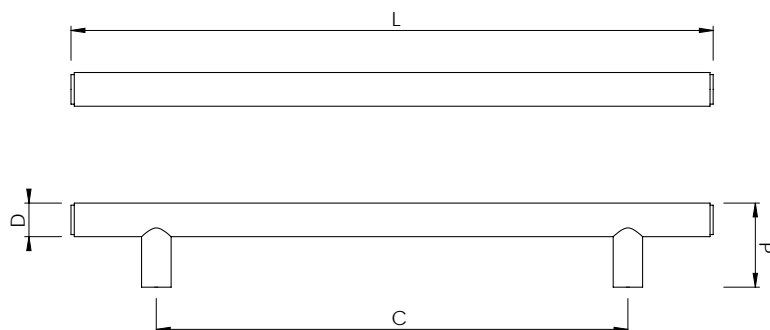


DIAMOND SILHOUETTE

With its fine knurled detail around the body, the Diamond Silhouette design is smooth to the touch.

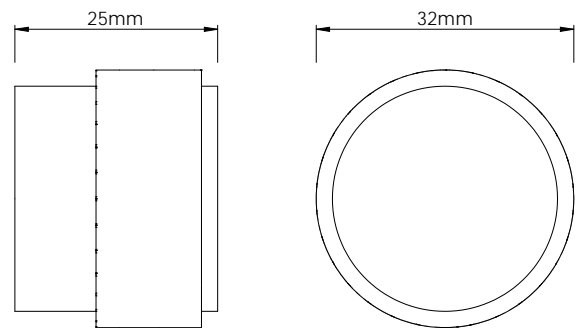
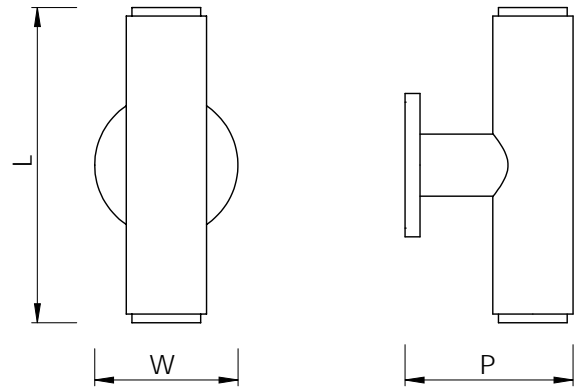


DIAMOND SILHOUETTE

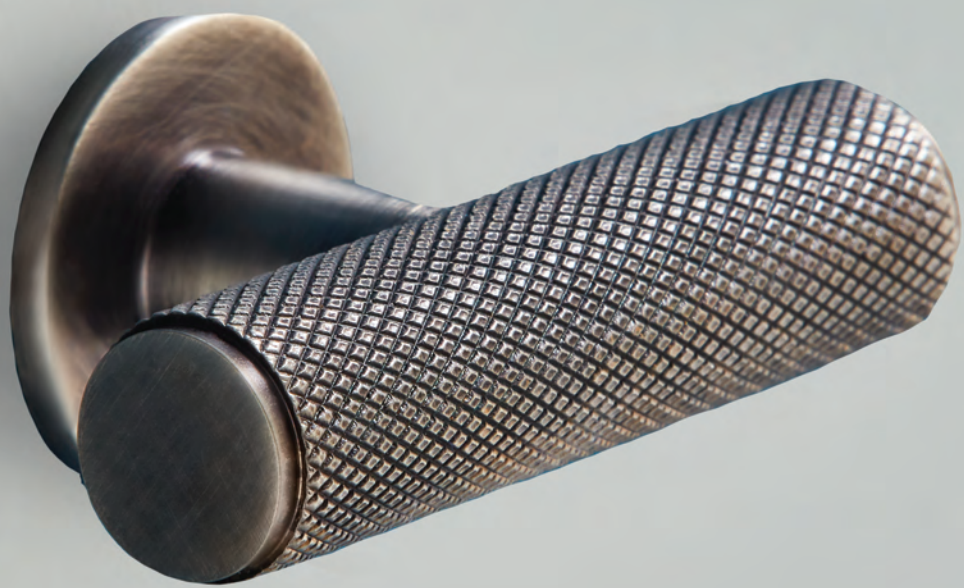


Code	Description	Centres (mm)	Length (mm)	Projection (mm)	Diameter (mm)
199-128	Diamond Silhouette Cabinet Handle	128	152	30	12
199-160	Diamond Silhouette Cabinet Handle	160	220	30	12
199A-192	Diamond Silhouette Cabinet Handle	192	254	40	16
199A-224	Diamond Silhouette Cabinet Handle	224	305	40	16
199A-256	Diamond Silhouette Cabinet Handle	256	356	40	16
185D-457	Diamond Silhouette Appliance Pull	457	537	46	18

DIAMOND SILHOUETTE



Code	Description	Centres (mm)	Length (mm)	Width (mm)	Projection (mm)	Diameter (mm)
162	Diamond Silhouette T-bar	-	55	25	30	-
174	Diamond Silhouette Cabinet Knob	-	-	-	25	32

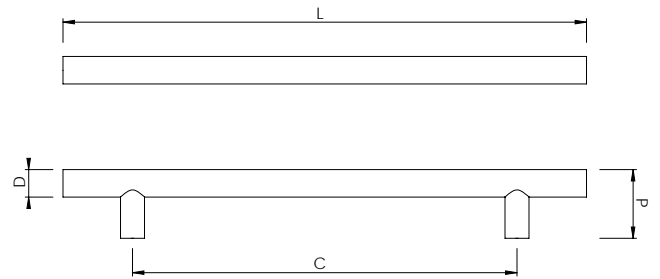


ROUND

Simple yet timeless, the Round design is smooth to the touch.



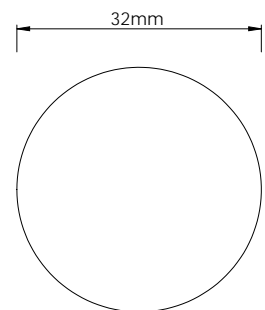
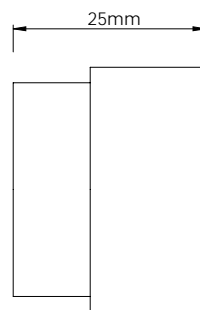
ROUND



Code	Description	Centres (mm)	Length (mm)	Projection (mm)	Diameter (mm)
192-128	Round Cabinet Handle	128	152	30	12
192-160	Round Cabinet Handle	160	220	30	12
192-192	Round Cabinet Handle	192	252	30	12
192-224	Round Cabinet Handle	224	284	30	12
192-256	Round Cabinet Handle	256	316	30	12
192A-192	Round Cabinet Handle	192	254	40	16
192A-224	Round Cabinet Handle	224	305	40	16
192A-256	Round Cabinet Handle	256	356	40	16
185-457	Round Appliance Pull	457	537	46	18
185-610	Round Appliance Pull	610	690	46	18



171
Round Cabinet Knob
Smoked Brass



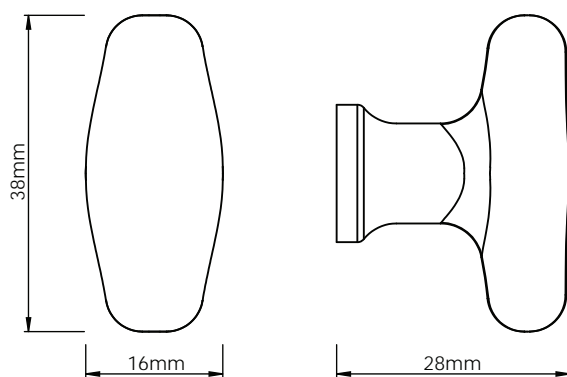
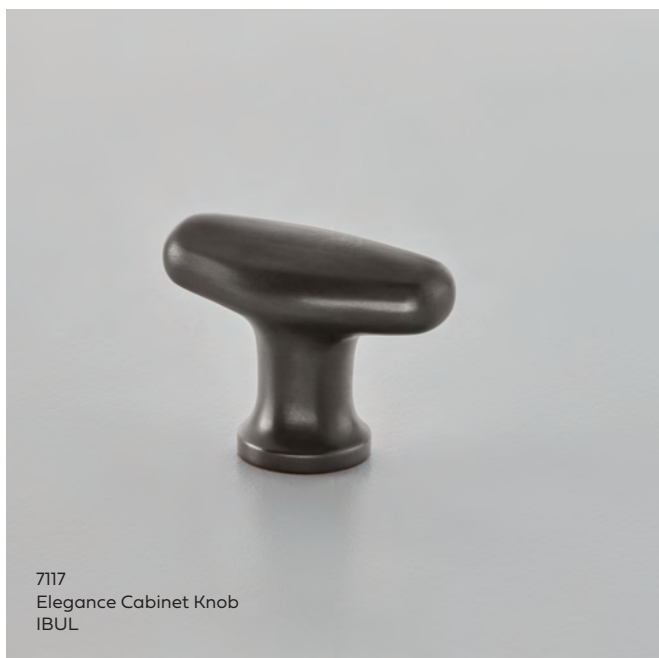
Code	Description	Centres (mm)	Length (mm)	Projection (mm)	Diameter (mm)
171	Round Cabinet Knob	-	-	25	32



FURTHER DESIGNS

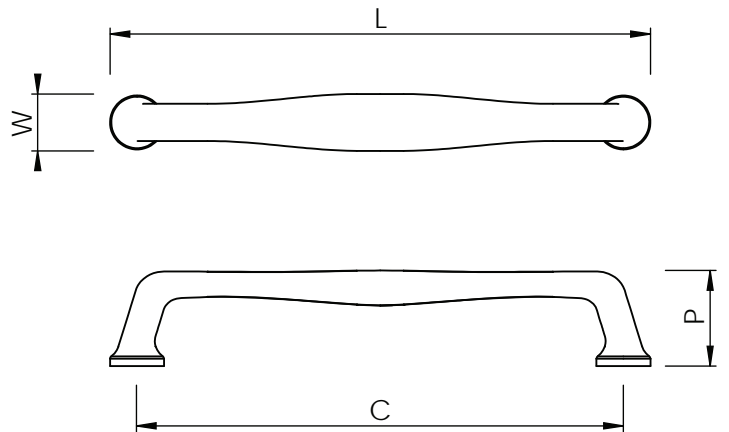


ELEGANCE



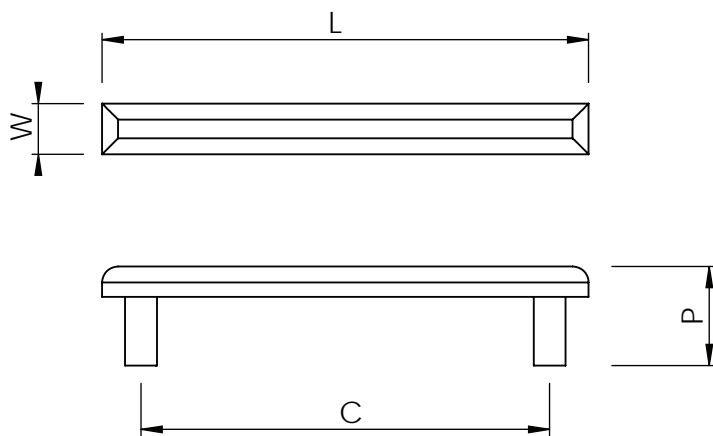
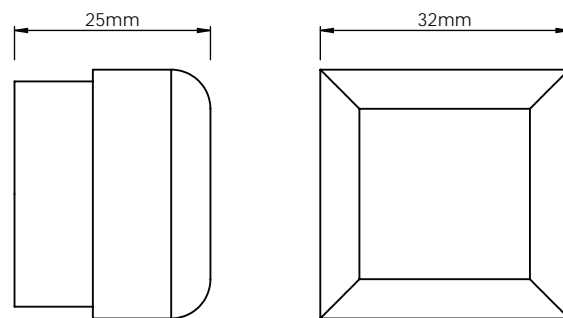
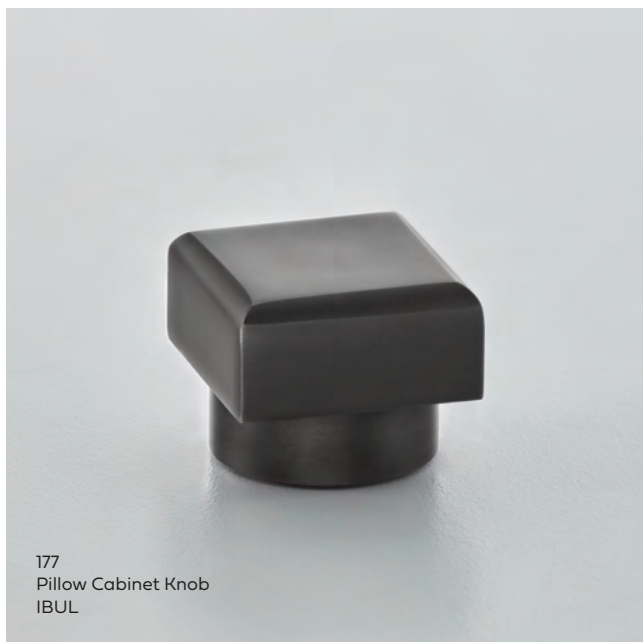
Code	Description	Centres (mm)	Length (mm)	Width (mm)	Projection (mm)
7117	Elegance Cabinet Knob	-	38	16	28

ELEGANCE



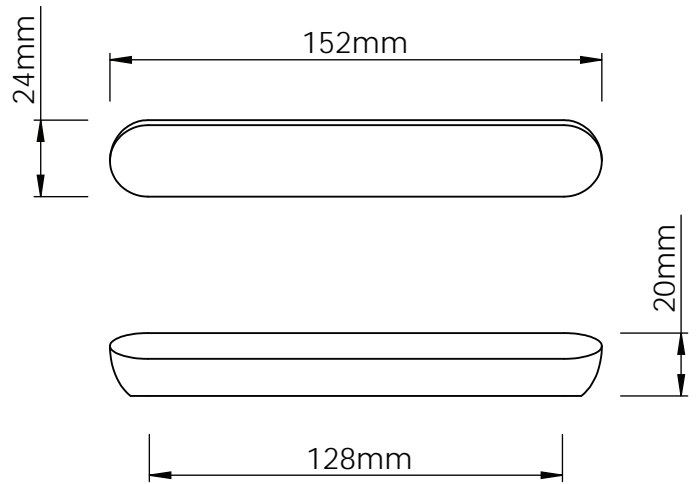
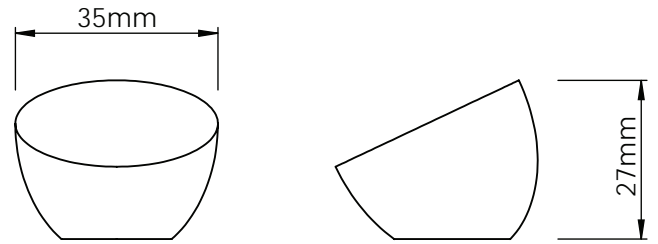
Code	Description	Centres (mm)	Length (mm)	Projection (mm)
7115A	Elegance Cabinet Handle	128	146	28
7115B	Elegance Cabinet Handle	160	180	32
7116	Elegance Cabinet Handle	224	254	42

PILLOW



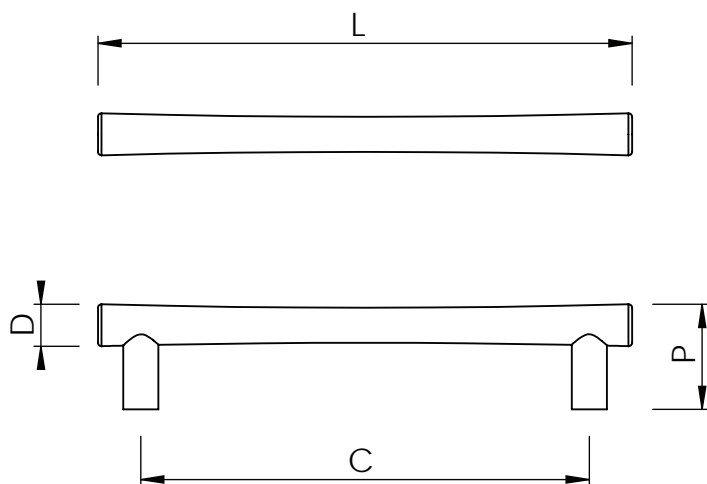
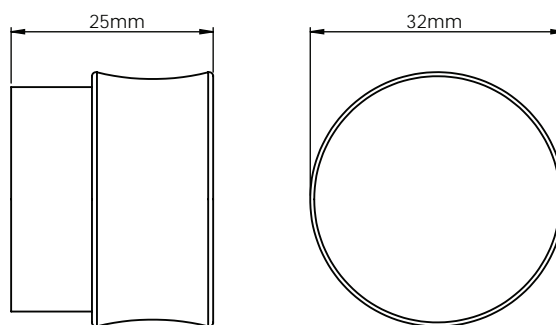
Code	Description	Centres (mm)	Length (mm)	Width (mm)	Projection (mm)
177	Pillow Cabinet Knob	-	32	32	25
197-128	Pillow Cabinet Handle	128	152	16	30

TILT



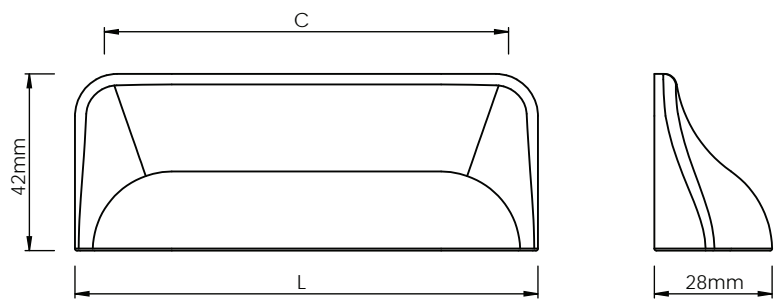
Code	Description	Centres (mm)	Length (mm)	Width (mm)	Projection (mm)
1831	Tilt Cabinet Knob	-	-	35	27
1830	Tilt Cabinet Handle	128	152	-	20

ROKA



Code	Description	Centres (mm)	Length (mm)	Diameter (mm)	Projection (mm)
176	Roka Cabinet Knob	-	-	32	25
198 - 128	Roka Cabinet Handle	128	152	12	30

HUDSON



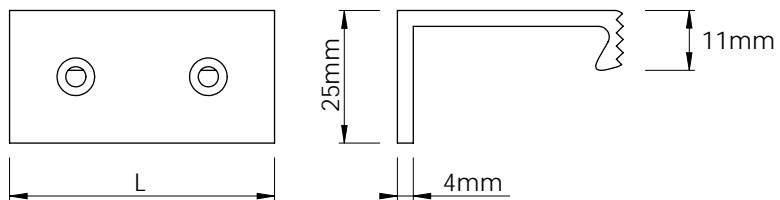
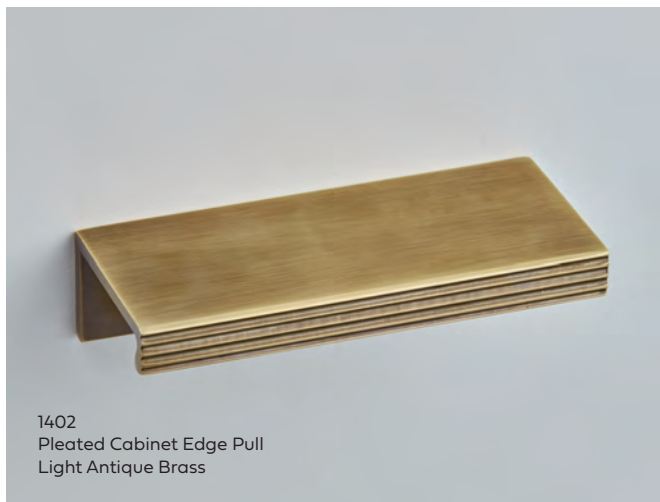
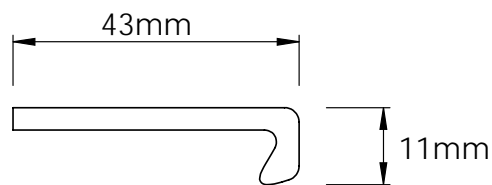
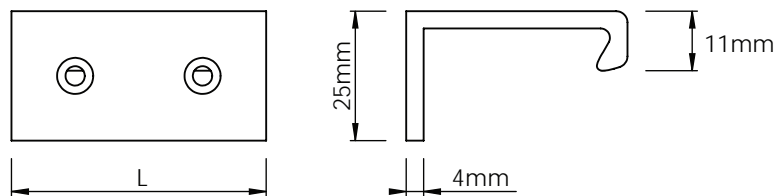
Code	Description	Centres (mm)	Length (mm)	Projection (mm)
4124A	Hudson Cabinet Pull	64	78	28
4124B	Hudson Cabinet Pull	96	110	28
4124C	Hudson Cabinet Pull	160	174	28



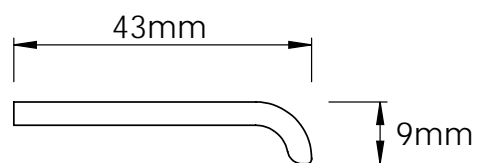
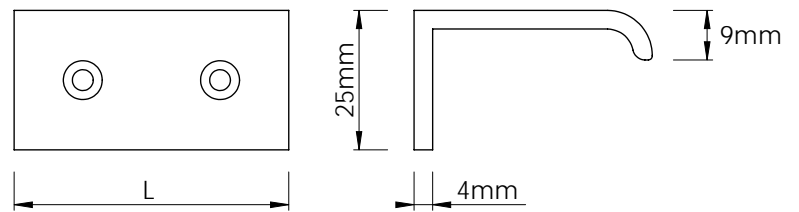
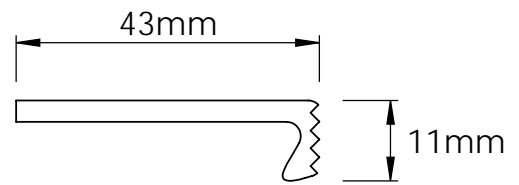
CABINET EDGE PULLS



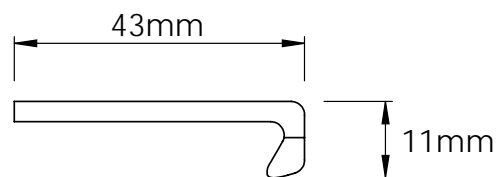
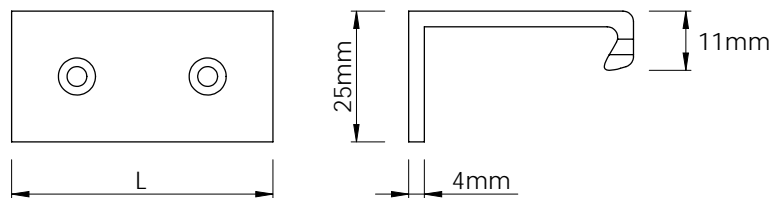
CABINET EDGE PULLS



CABINET EDGE PULLS



CABINET EDGE PULLS



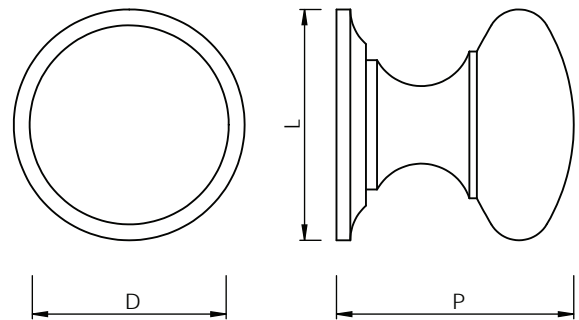
Code	Description	Length available (mm)				
1400	Linear Cabinet Edge Pull	50	75	100	150	200
1401	Linear Top Fix Cabinet Edge Pull	50	75	100	150	200
1402	Pleated Cabinet Edge Pull	50	75	100	150	200
1403	Pleated Top Fix Cabinet Edge Pull	50	75	100	150	200
1405	Arc Cabinet Edge Pull	50	75	100	150	200
1406	Arc Top Fix Cabinet Edge Pull	50	75	100	150	200
1407	Moderne Cabinet Edge Pull	50	75	100	150	200
1408	Moderne Top Fix Cabinet Edge Pull	50	75	100	150	200

Custom lengths available on request.

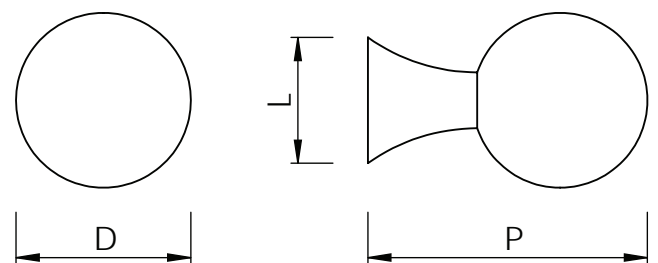
CABINET KNOBS AND T-BARS



CABINET KNOBS AND T-BARS

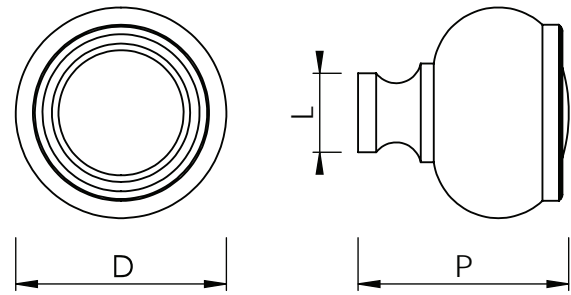


Code	Description	Length (mm)	Width (mm)	Projection (mm)
1100 - 25	Cushion Cabinet Knob	25	25	25
1100 - 32	Cushion Cabinet Knob	32	32	32
1100 - 38	Cushion Cabinet Knob	38	38	38
1100 - 50	Cushion Cabinet Knob	50	50	50

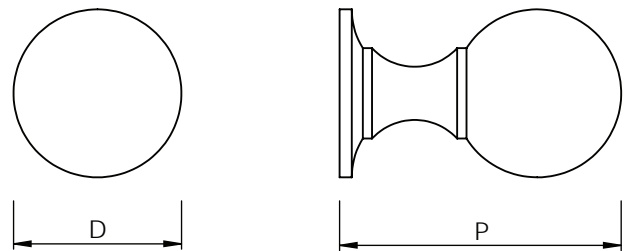


Code	Description	Length (mm)	Width (mm)	Projection (mm)
5107 - 25	Patterdale Cabinet Knob	17	25	40
5107 - 32	Patterdale Cabinet Knob	19	32	49

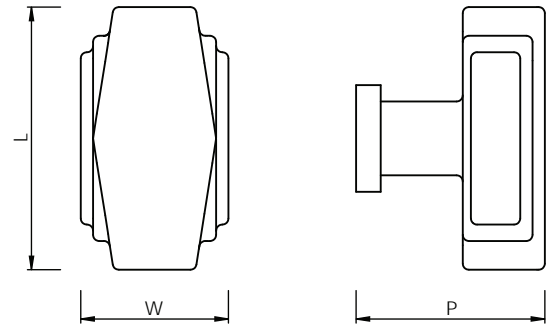
CABINET KNOBS AND T-BARS



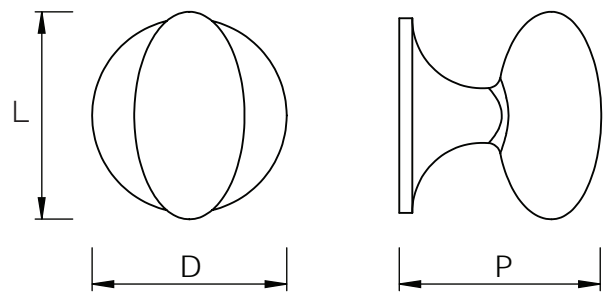
Code	Description	Length (mm)	Width (mm)	Projection (mm)
5111 - 26	Verve Cabinet Knob	12	26	30
5111 - 32	Verve Cabinet Knob	12	32	33



Code	Description	Diameter (mm)	Projection (mm)
4100 - 23	Ball Cabinet Knob	23	35
4100 - 26	Ball Cabinet Knob	26	40
4100 - 32	Ball Cabinet Knob	32	53

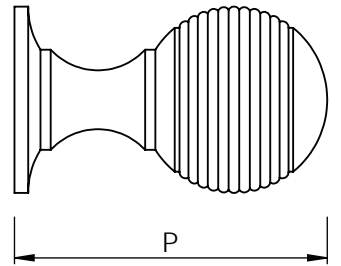
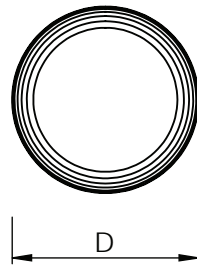


Code	Description	Length (mm)	Width (mm)	Projection (mm)
7006 - 32	Art Deco Cabinet Knob	32	18	23
7006 - 38	Art Deco Cabinet Knob	38	22	27



Code	Description	Length (mm)	Diameter (mm)	Projection (mm)
6410 - 32	Oval Cabinet Knob	32	30	32
6410 - 38	Oval Cabinet Knob	38	35	33

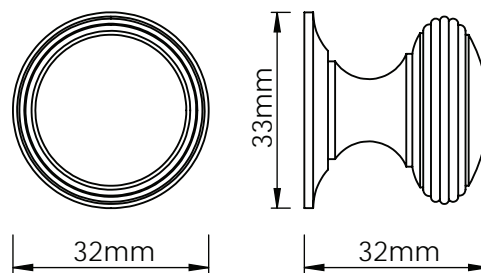
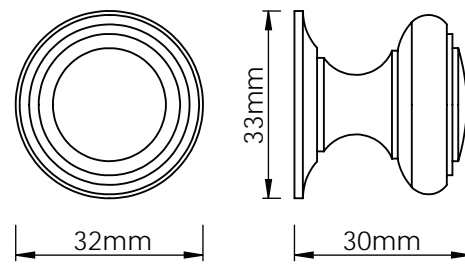
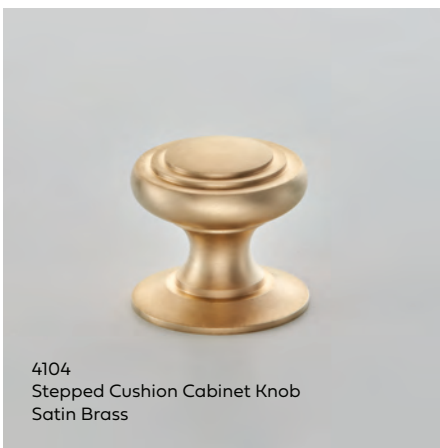
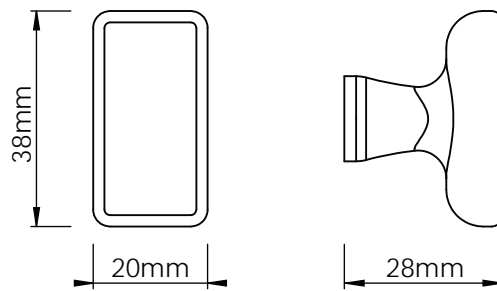
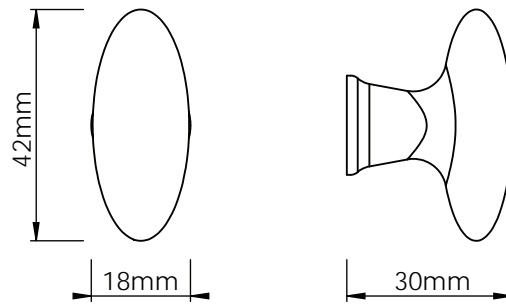
CABINET KNOBS AND T-BARS



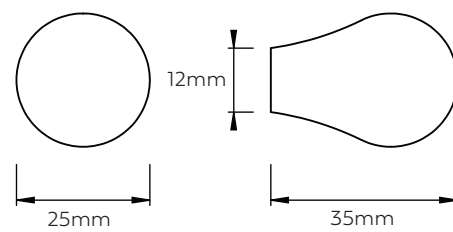
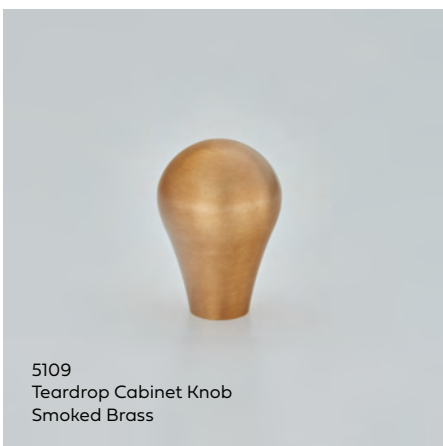
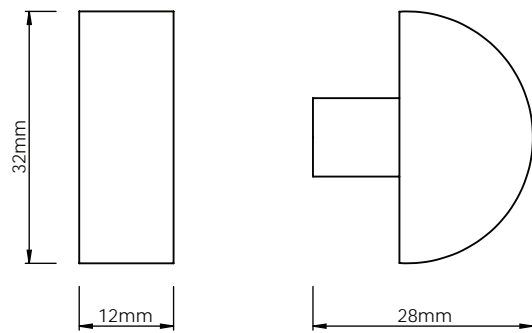
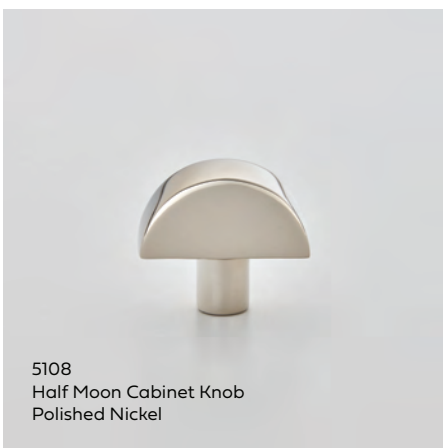
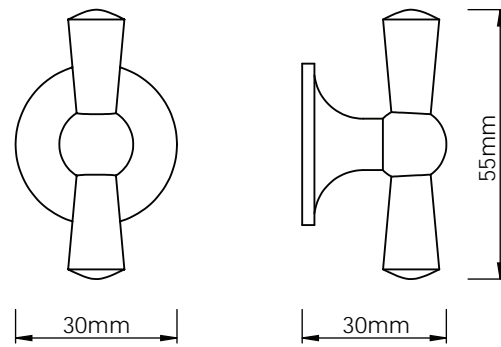
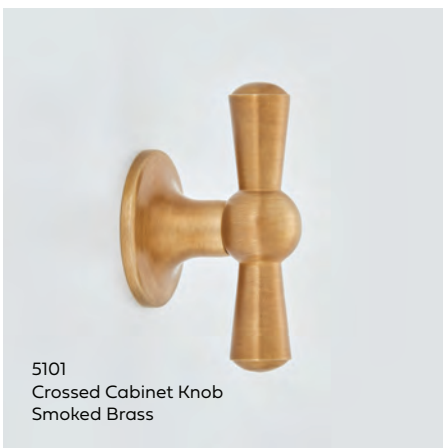
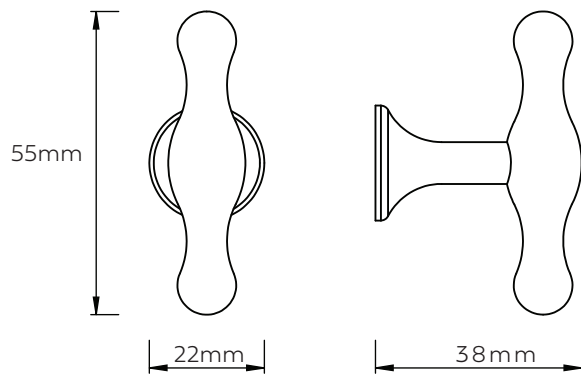
Code	Description	Diameter (mm)	Projection (mm)
4101 - 23	Reeded Ball Cabinet Knob	23	35
4101 - 26	Reeded Ball Cabinet Knob	26	40
4101 - 32	Reeded Ball Cabinet Knob	32	53



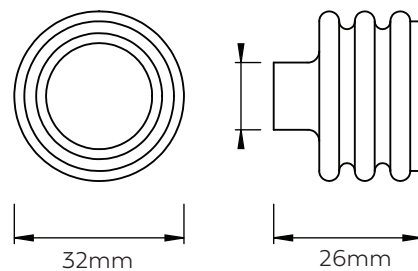
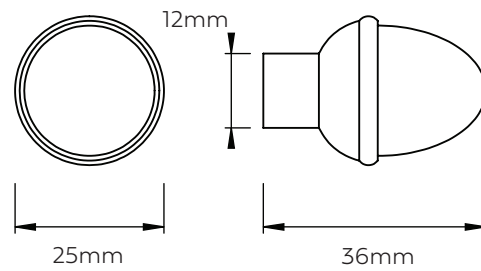
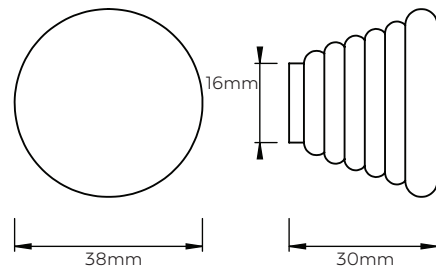
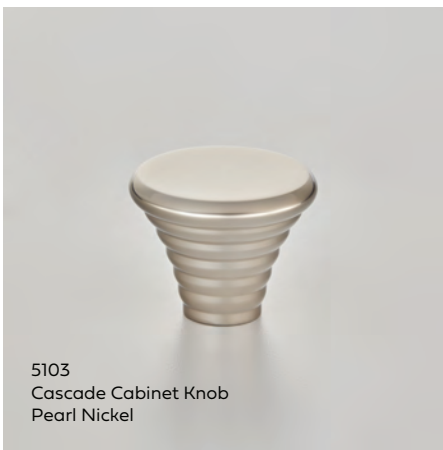
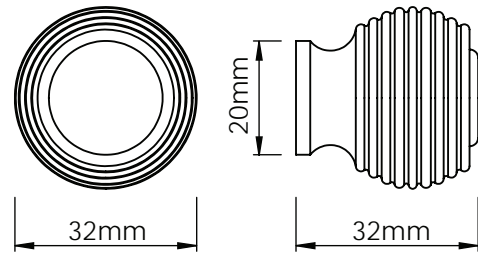
CABINET KNOBS AND T-BARS



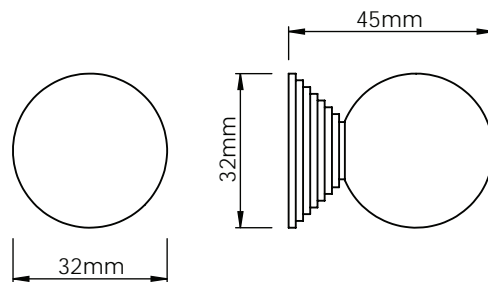
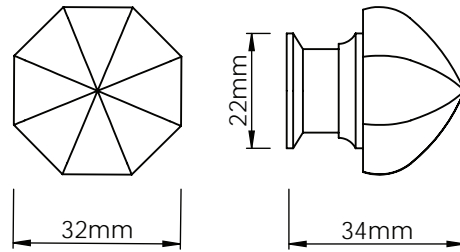
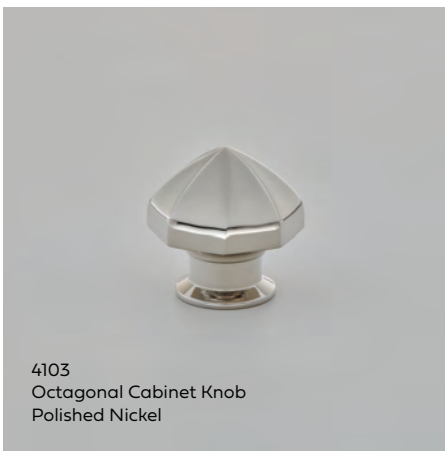
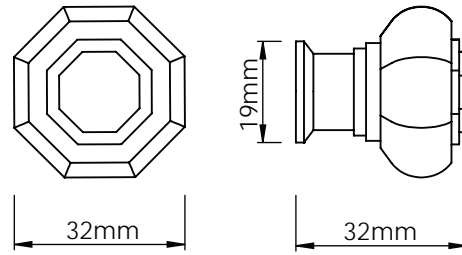
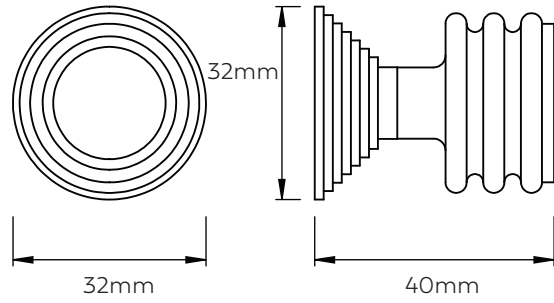
CABINET KNOBS AND T-BARS



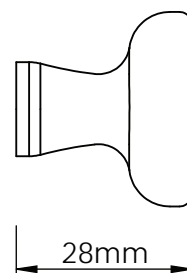
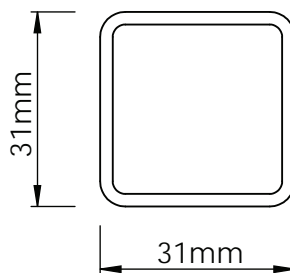
CABINET KNOBS AND T-BARS



CABINET KNOBS AND T-BARS



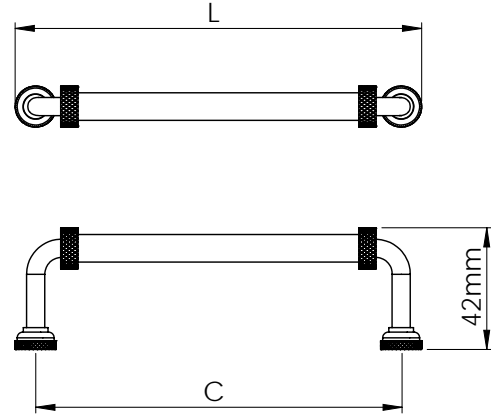
CABINET KNOBS AND T-BARS



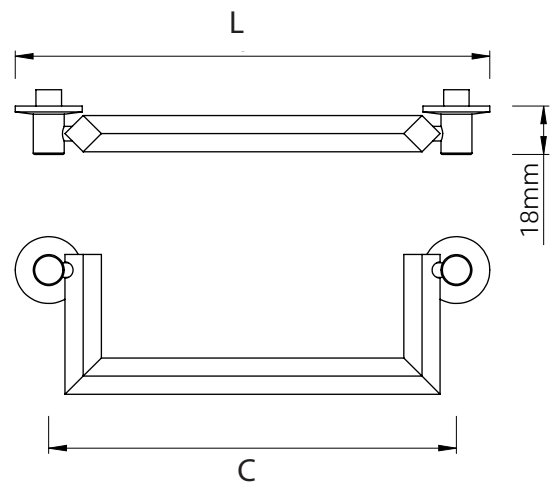
FURTHER CABINET HANDLES & PULLS



CABINET HANDLES & PULLS

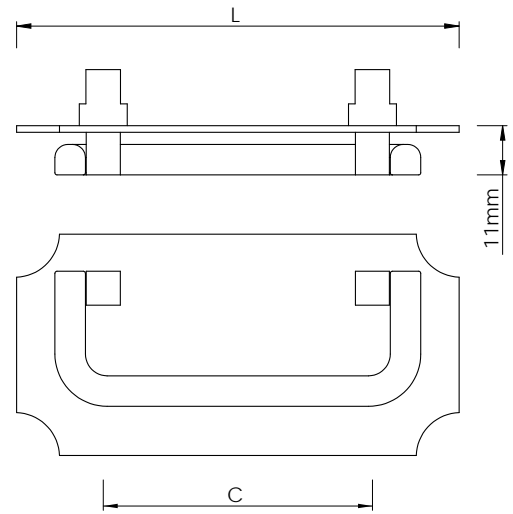


Code	Description	Centres (mm)	Length (mm)	Projection (mm)
5114-110	Drayton Pull	110	125	42
5114-127	Drayton Pull	127	144	42
5114-152	Drayton Pull	157	167	42

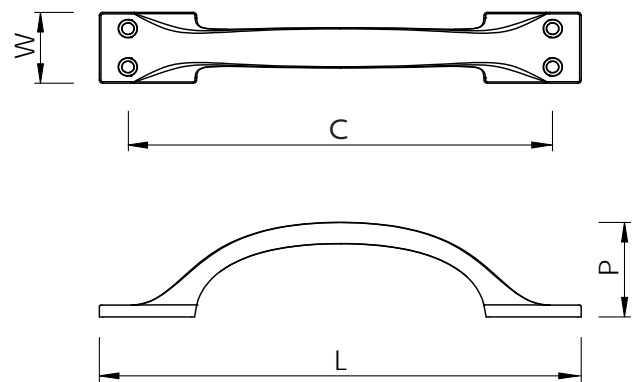


Code	Description	Centres (mm)	Length (mm)	Projection (mm)
5113-102	Regal Pull	102	125	18
5113-152	Regal Pull	152	177	18

CABINET HANDLES & PULLS

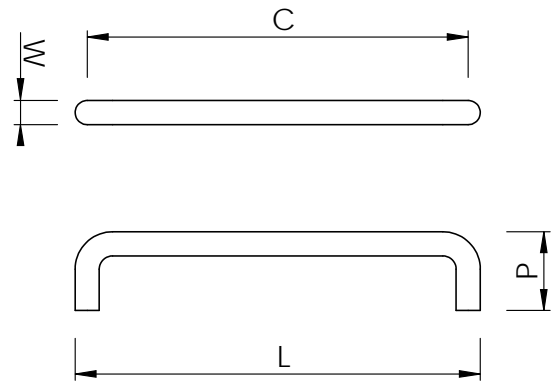


Code	Description	Centres (mm)	Length (mm)	Projection (mm)
5115-60	Hale Pull	60	101	11
5115-110	Hale Pull	110	152	11

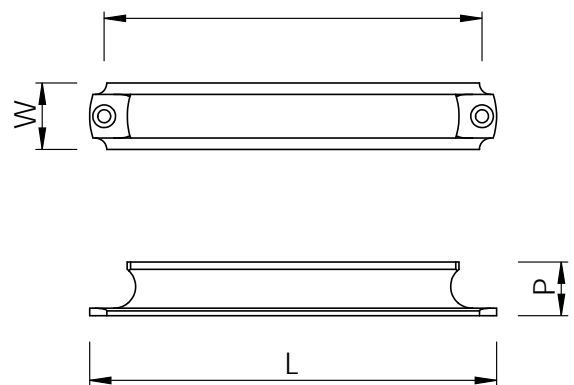


Code	Description	Centres (mm)	Length (mm)	Width (mm)	Projection (mm)
5200	Plain 6" Handle	140	152	23	30
5201	Plain 7.1/2" Handle	168	190	25	36

CABINET HANDLES & PULLS



Code	Description	Centres (mm)	Length (mm)	Width (mm)	Projection (mm)
1862-92	D Handle	92	100	10	35
1862-145	D Handle	145	154	10	35

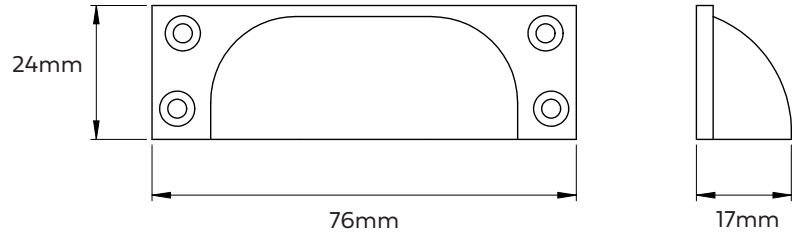


Code	Description	Length (mm)	Width (mm)	Projection (mm)
5206-3	Concave Cabinet Handle	76	20	20
5206-5	Concave Cabinet Handle	130	20	20

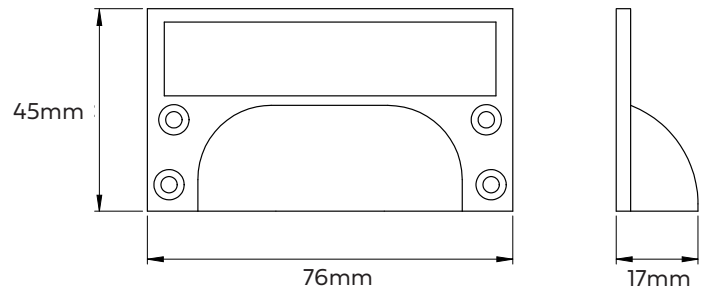
CABINET HANDLES & PULLS



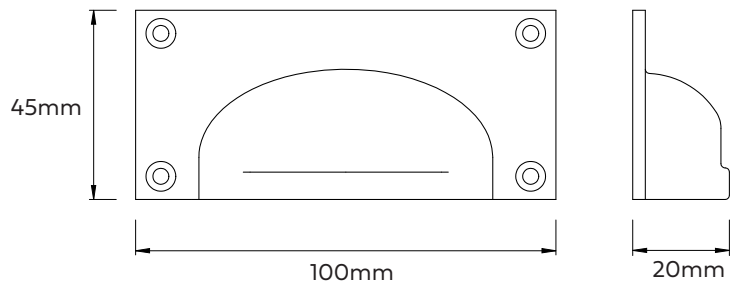
1821
Cast Drawer Pull
Smoked Brass



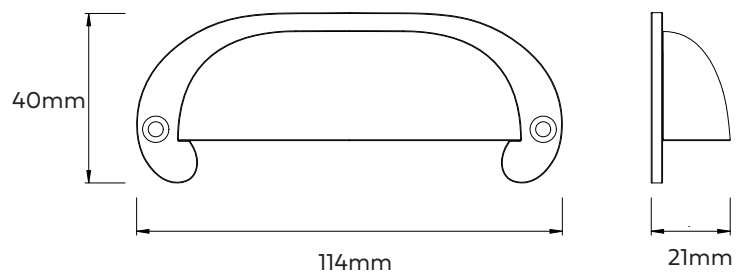
1822
Cast Drawer Pull With Card Frame
Satin Brass



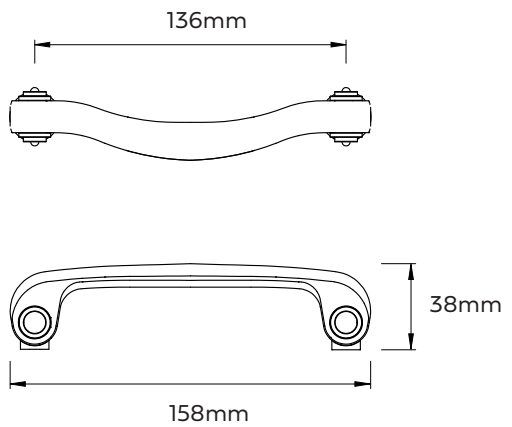
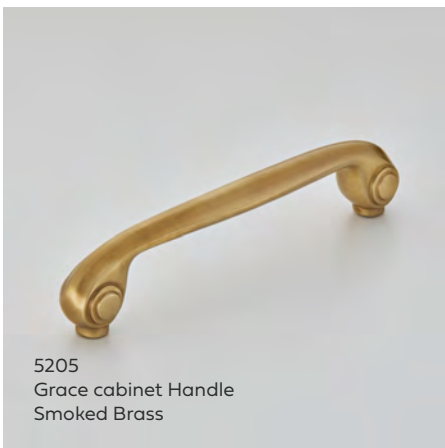
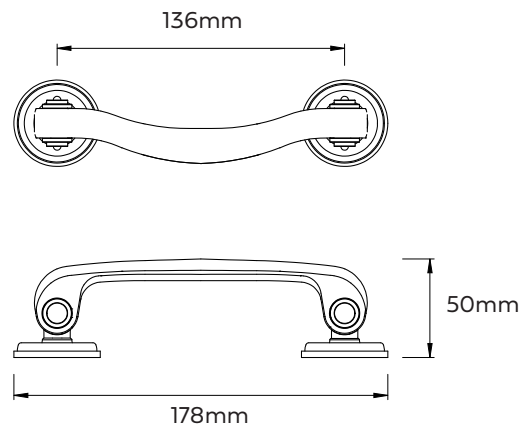
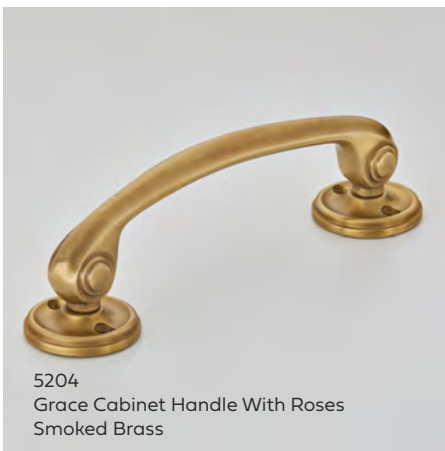
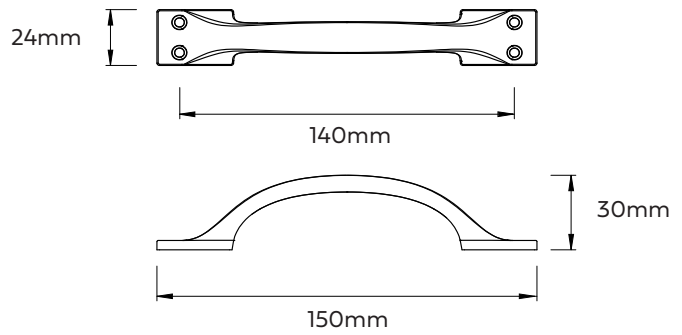
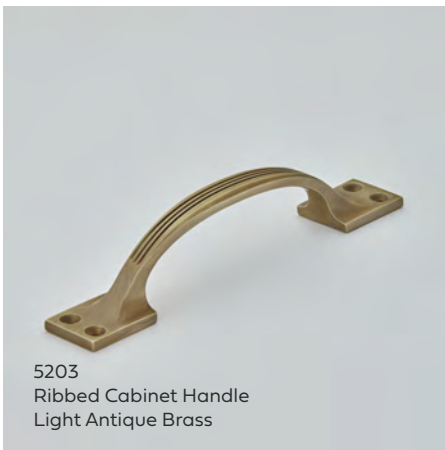
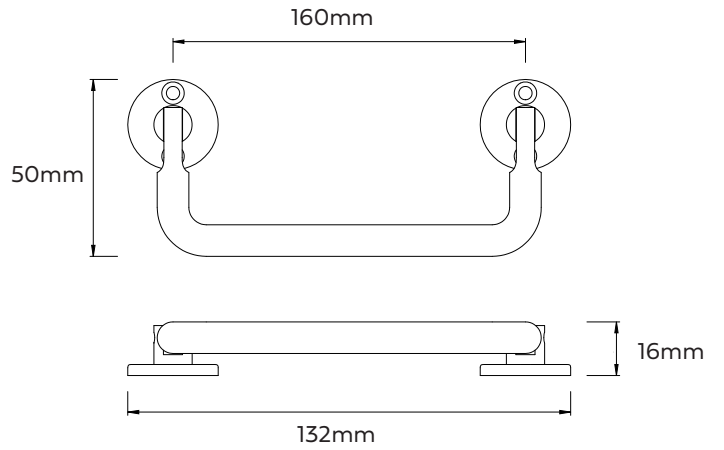
1823
Cast Drawer Pull
Satin Brass



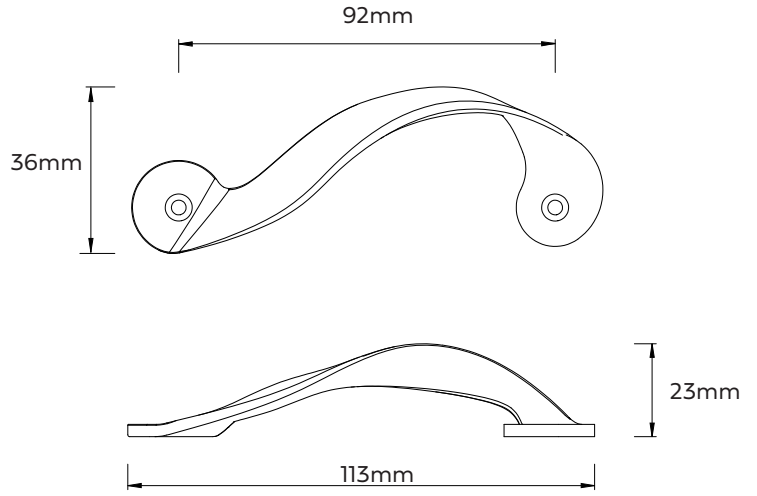
6427
Cast Drawer Pull
Smoked Brass



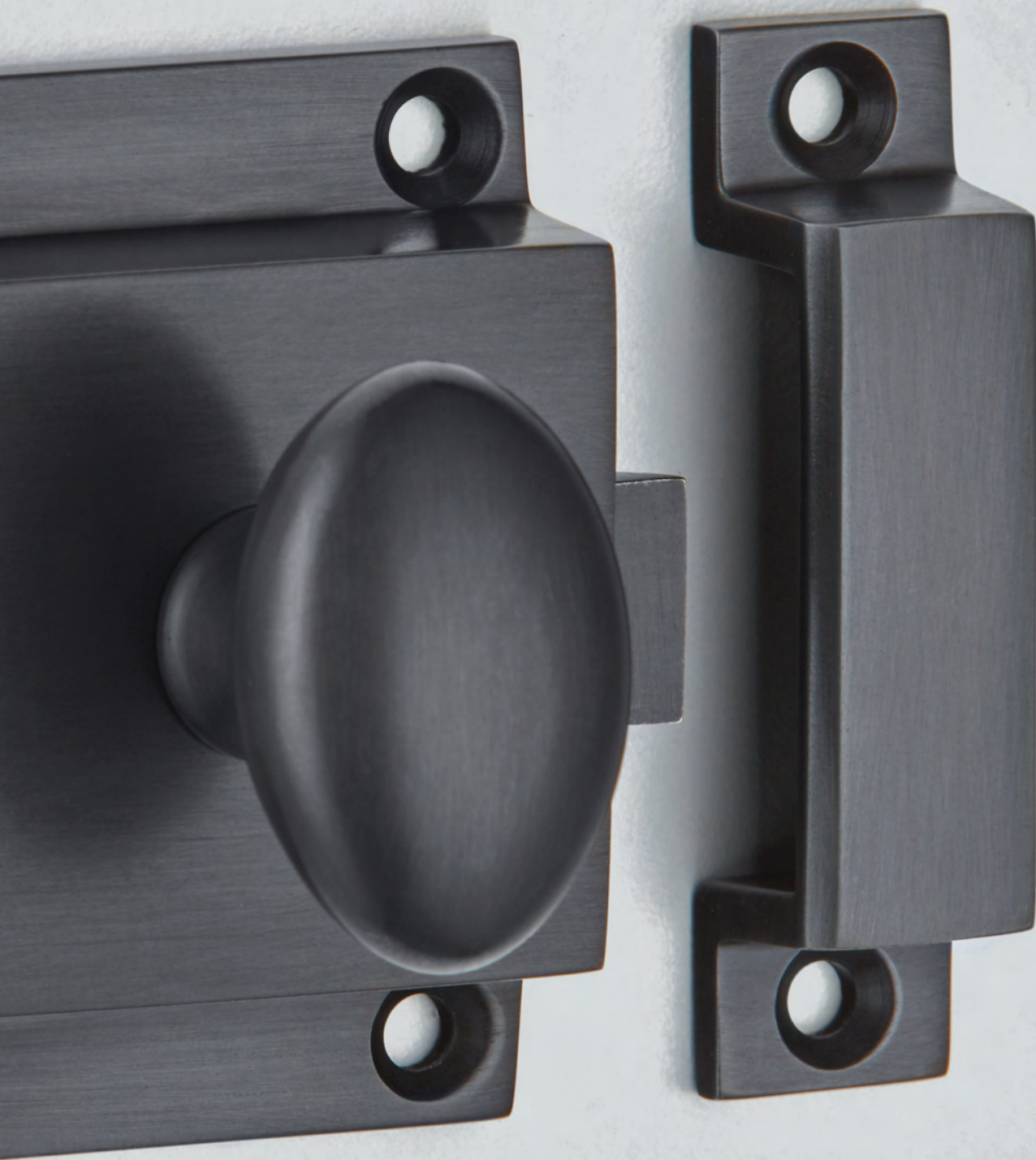
CABINET HANDLES & PULLS



CABINET HANDLES & PULLS

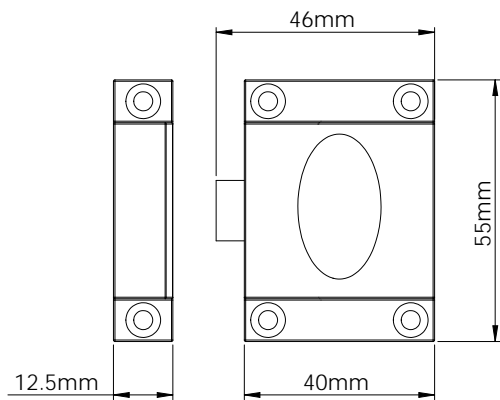
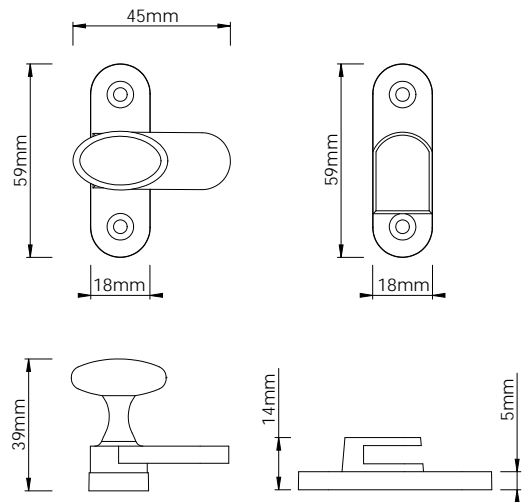
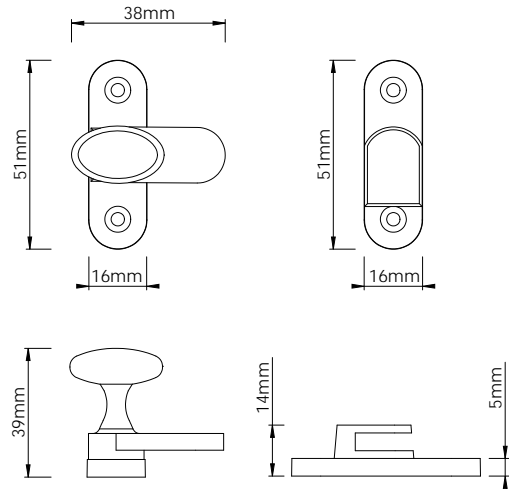




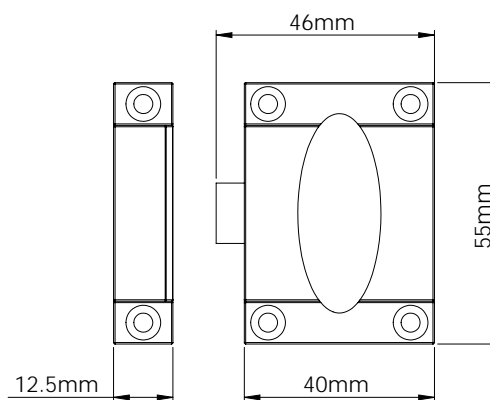
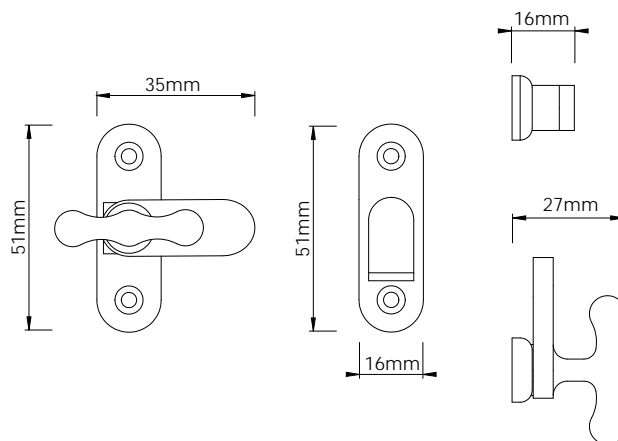


CABINET CATCHES

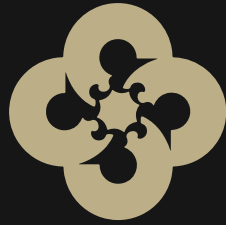
CABINET CATCHES



CABINET CATCHES







CROFT

Manufacturers of the finest architectural hardware

Croft Architectural Hardware

Lower Lichfield Street, Willenhall, West Midlands, WV13 1QQ England

+ 44 (0) 1902 606 493

sales@croft.co.uk

www.croft.co.uk